

BATTERY LEVEL 24V

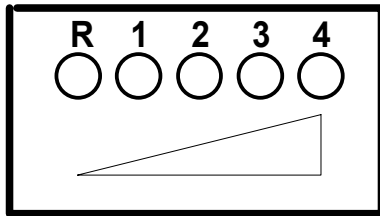
Threshold battery level.

Threshold can be change upon requeste.

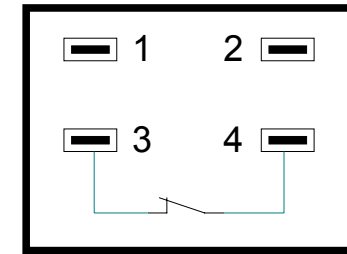
With jumper = Pb-Acido.

without jumper = Pb-Gel.

Pb-Gel	Pb-Acido	
> 23,8	>23	on led 4
23,8	23	on led 3
22,8	22	on led 2
22,3	21	on led 1
22	20	on led rosso



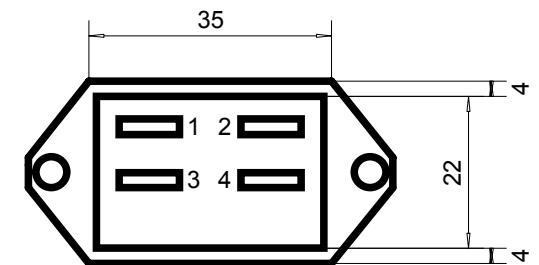
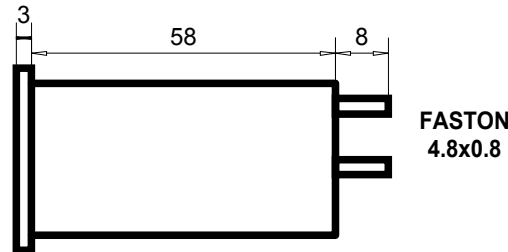
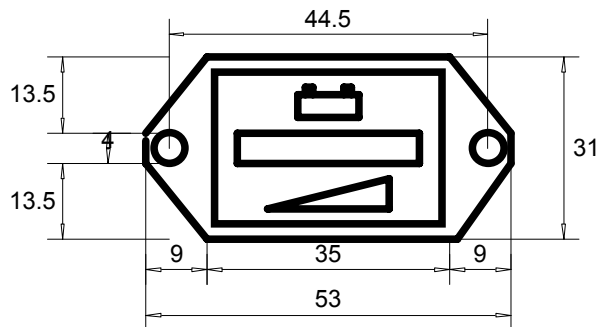
Note:
after 5 seconds to red led is on
"Battery discharge" the N.C.
internal contact switch on.



1) +Battery.

2) -Battery.

3-4) N.C.internal contact
(1A max current)



Titolo: INDICATORE LIVELLO BATTERIA 24V

Data: 12/02/07

Cliente: VARI

Dis.: Filippo

Codice: 7IBMP24R

Ver.:

Appr.:

Nome File: CL_IBMP24.SCH

italsea
SISTEMI ELETTRONICI

Modifica:

Rev.	Rif.	data	Resp.
0			

0

Models 12-36V on request